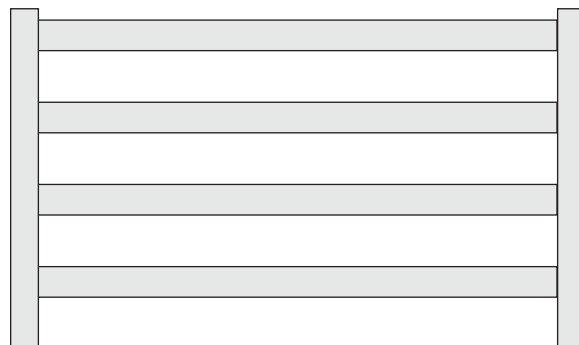
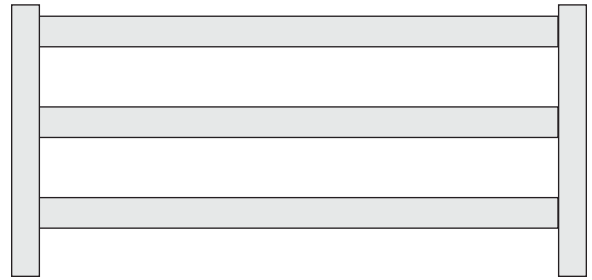
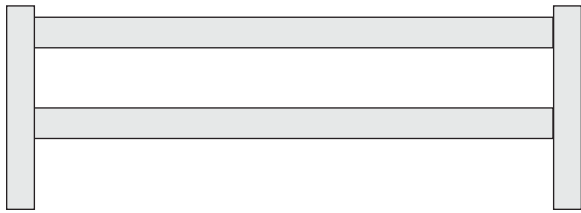




RANCH RAIL FENCE AND GATE

INSTALLATION INSTRUCTIONS



BEFORE YOU START, IT'S IMPORTANT TO CHECK:

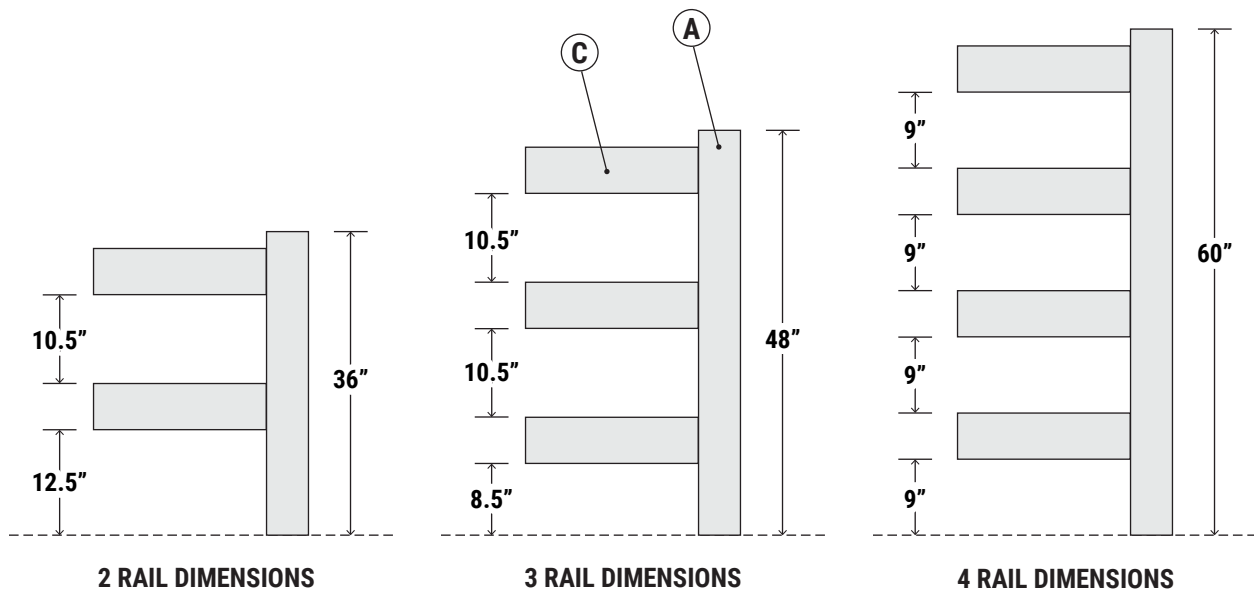
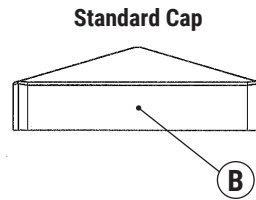
- That fence or the fence post footings do not exceed your lot lines of your property. If you can locate your lot pins that would be great. Otherwise you may need to refer to the real estate agents lot plans or you may need to hire a survey company to come out and mark your lot lines just to be sure.
- Check your local codes on fencing in your city regarding frontage locations and allowable fence heights in your neighborhood. A fence permit may be required.
- Contact Diggers Hotline in your state for locations for underground utilities or pipelines.

RANCH RAIL FENCE

PARTS LIST

RANCH RAIL INCLUDES:

- A. 5" x 5" Posts
- B. 5" Standard Caps
- C. 1 1/2" x 5 1/2" x 16' Ribbed Rails



1 PREPARE FENCE LAYOUT

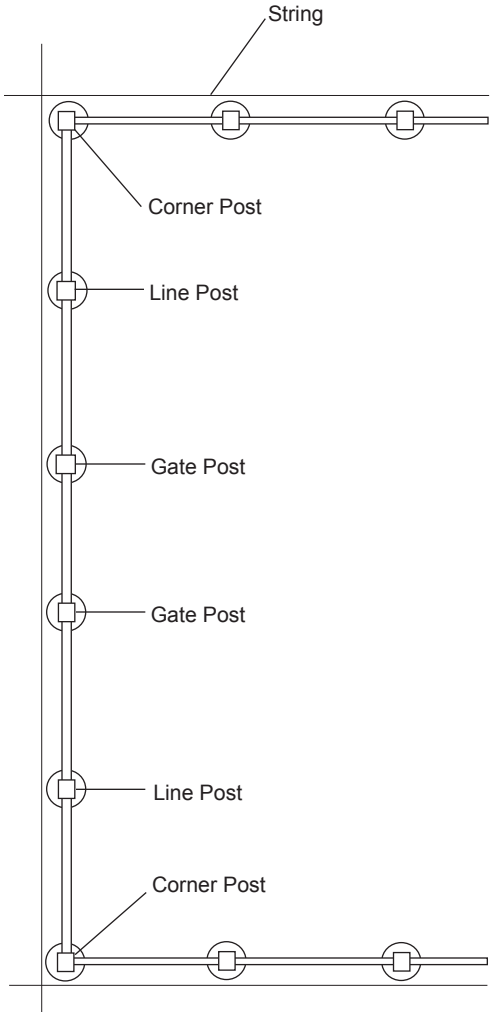
Please read this instruction sheet completely before starting work. Laying out the fence is an important first step toward a quality installation.

NOTE: Ranch Rail fences are designed for level terrain. For Significant slopes in the terrain you will need to modify some of the posts and rails. Filing out the routed holes in the posts and cutting the rails in half will help with assembly on uneven terrain.

STEP 1
Locate the boundary lines to your property.

STEP 2
Drive stakes into the ground along the property line and stretch a string between each stake. We recommend that all posts be set approximately 4" - 6" inside of the property line to make sure that the concrete footings do not go over your property line.

STEP 3
Mark the location of each post hole. Ranch Rail fence hole locations should be 96-1/2" on center. A can of bright colored spray paint or colored flags work well to mark out holes.



2 **SETTING POSTS**

STEP 1

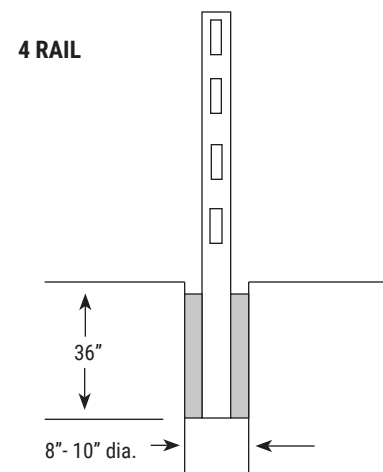
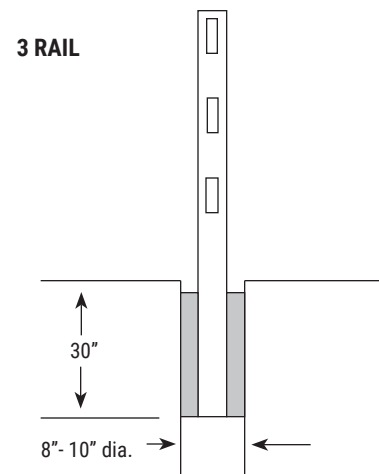
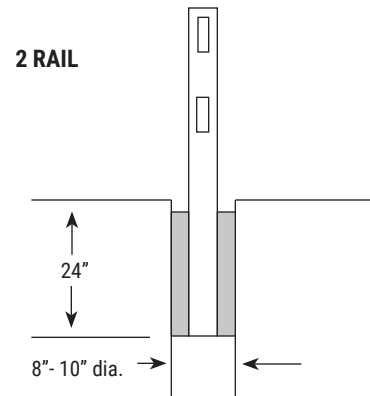
Dig holes 8" - 10" in diameter and anywhere from 24", 30" or 36" deep depending on your local weather and soil conditions.

STEP 2

Position the post in the hole. The post should be centered in the hole and must be square with the fence line so that when the rails are inserted into place they will parallel the string line. Check the post on two adjacent sides with a carpenter's level and adjust as necessary to make sure it is plumb. The fence height above grade is also determined at this time.

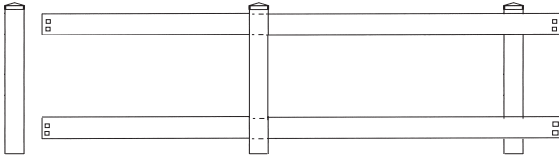
STEP 3

Pour concrete around the posts and fill up to ground level. Wet or dry concrete works fine. If using dry concrete water down around the posts when you are ready for the concrete to start setting up. The concrete will be set up in about 24 hours. Repeat this step until all post are set and ready for rail insertion and gate install if needed.

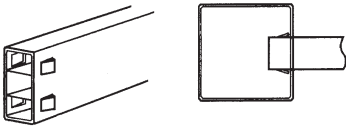


3 RAIL INSTALLATION

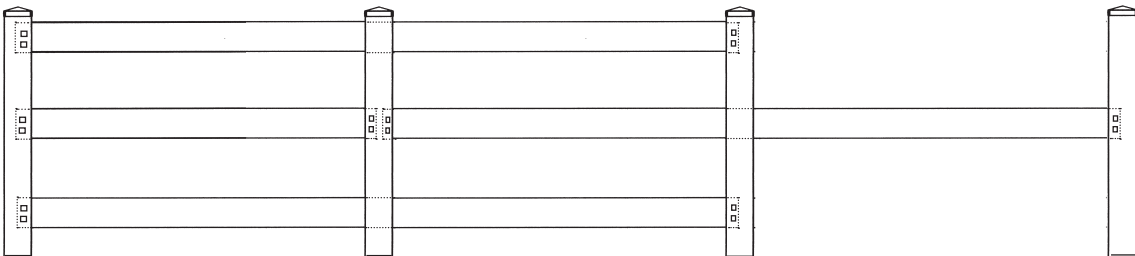
STEP 1
Once the concrete is set up, slide the 16' rails through the holes in the post.



STEP 2
Secure rails inside post at each end as shown.

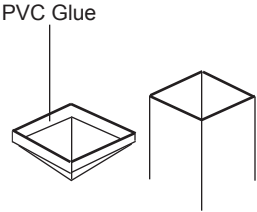


STEP 3
Cut one 16' rail in half. Insert one 8' rail into the center holes in the first two posts. This creates staggered joints that will continue on the full length of the fence. Use the other 8' rail at the opposite end of the fence. You can purchase a notching tool to re-notch the rails that have been cut in half or in most cases you can put a screw into the rail to hold it in place.



4 POST CAPS

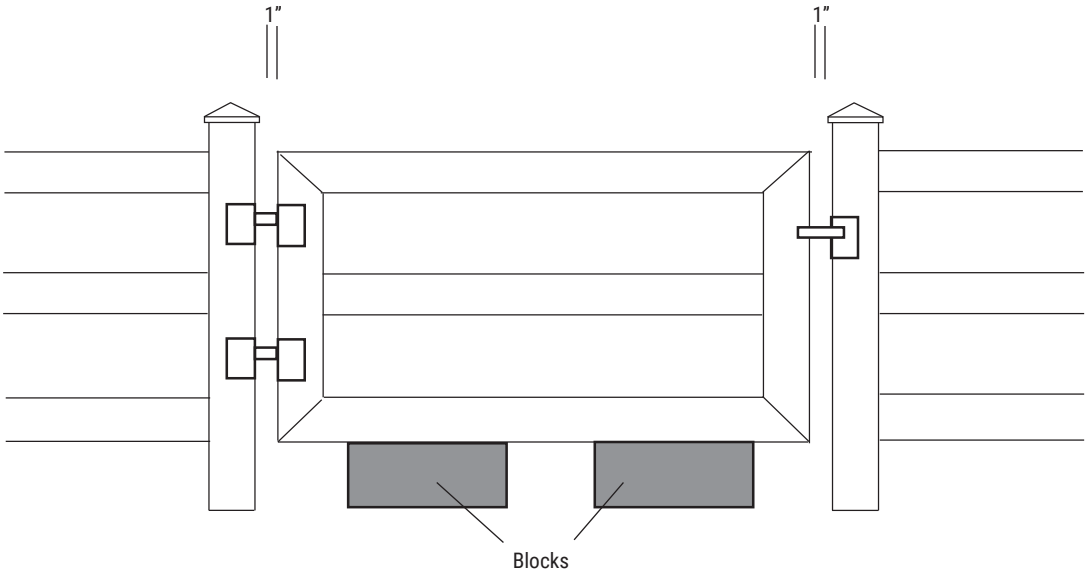
Apply pvc glue to the inside of the cap and press completely onto the top of the post. Press firmly to ensure that the cap is on as far as it will go.



5 HANG GATES

NOTE: Example on gate posts setting. For a 3' Gate you will need to have 36" between the post and a 4' gate you will need 48" between the posts. For double gates, such as 12' gates, set post 144" between post. The gates will be made to fit those openings. The extra space will allow for the hinges and latch.

STEP 1
Position the gate in the gate opening and block up the gate as necessary to line up the horizontal gate rails with those of the fence. Hinge placement is optional. We recommend placing the top hinge about 4" - 6" down from the top of the gate frame and the other about 4" - 6" up from the bottom of the bottom rail. To install the latch follow the pre-packaged install instructions in the package.



6 CLEANING

During installation, your fence may have collected dirt. In most cases to clean your new fence you can just hose it off. For tougher marks, orange cleaner and a scotch brite pad works well to take those off.