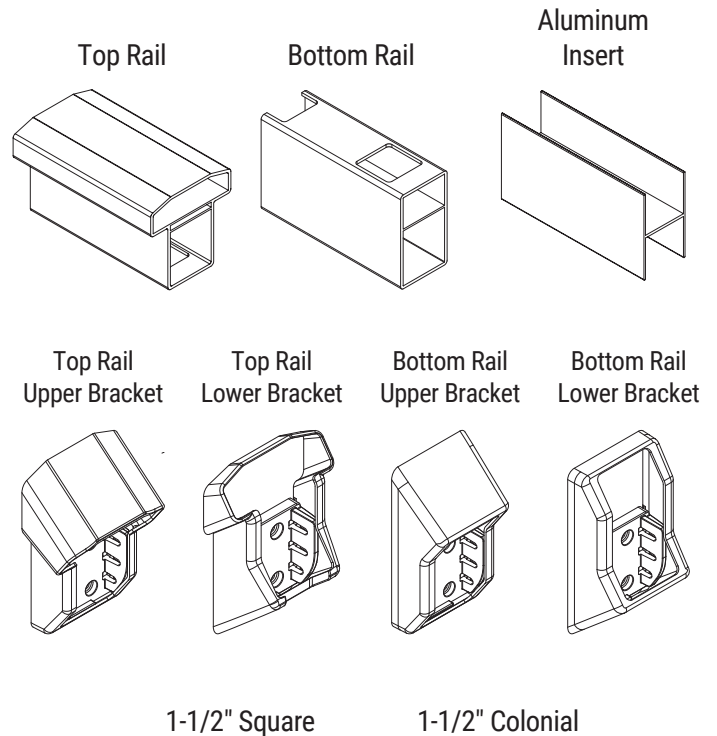


Denali Stair Railing Kit Instructions

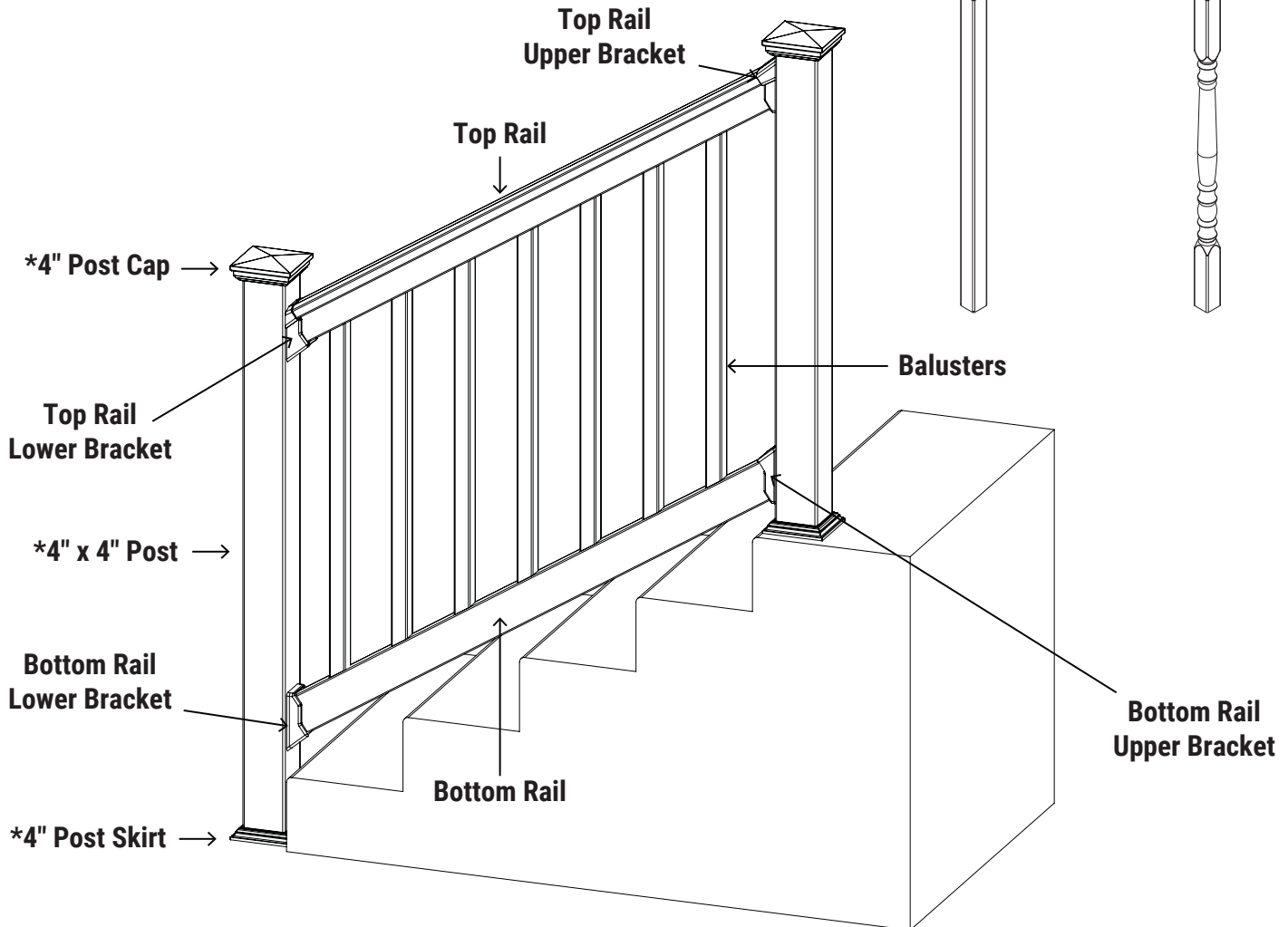
TOOLS REQUIRED: Tape Measure - Cordless Drill - Screw/Drill Bit
Miter Saw - Square - Level

T-RAIL STAIR KIT CONTENTS

Components	4' Kit	6' Kit	8' Kit
Top Rail - T-shape with pre-routed holes	(1)	(1)	(1)
Bottom Rail - 2" x 3-1/2" with pre-routed holes	(1)	(1)	(1)
Aluminum Insert (top & bottom rails)	(2)	(2)	(2)
Top Rail Brackets - with nylon post brackets, covers and fasteners	(2)	(2)	(2)
Bottom Rail Brackets - with nylon post brackets, covers and fasteners	(2)	(2)	(2)
Balusters - 1-1/2" Square or 1-1/2" Colonial (one style per selected kit)	(7)	(12)	(16)



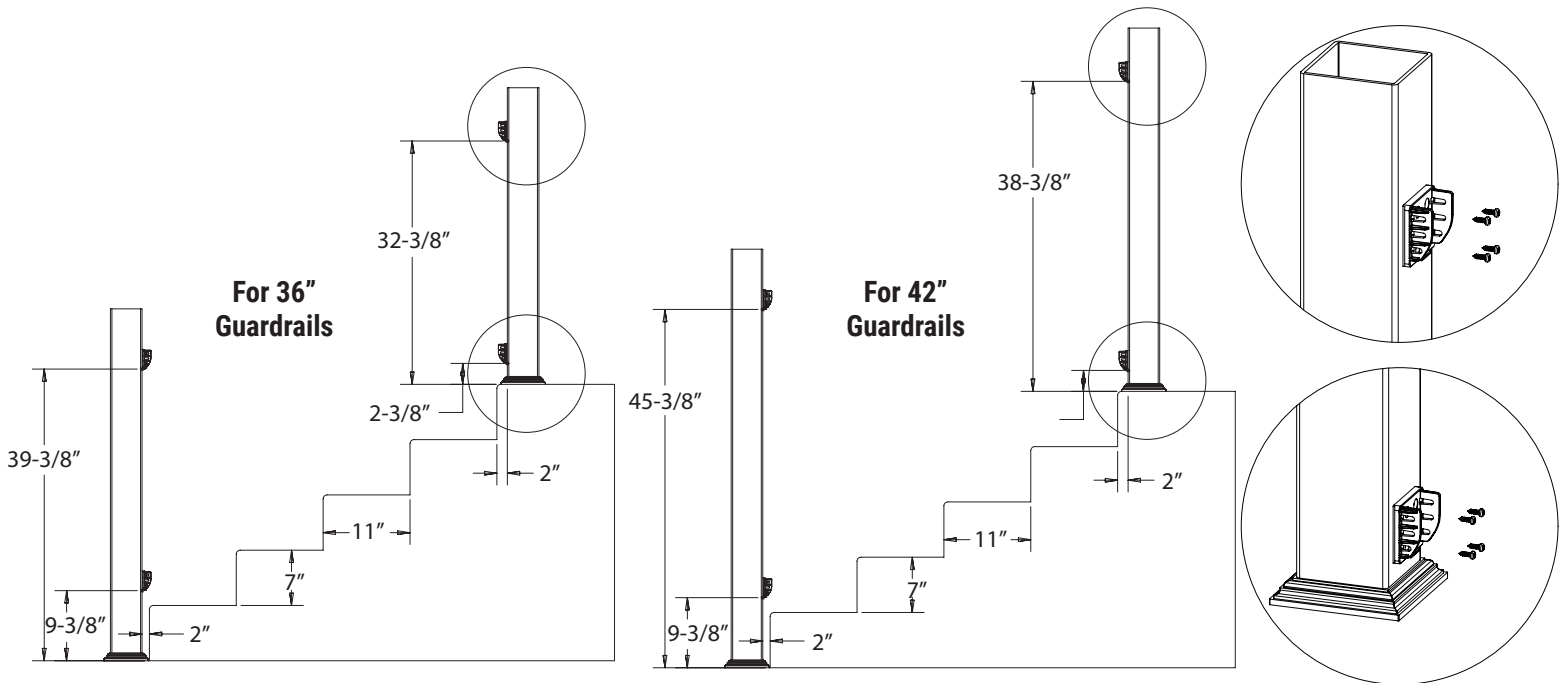
*Accessories items may be purchased separately.



Denali Stair Series Assembly Instructions

HUSKER VINYL Step Kits are designed for a standard 7/11 rise/run or a 32-1/2 degree angle. The following instructions and illustrations are designed with the upper post support fastened 2" from the edge of the porch or deck surface and the lower post support fastened 2" from the foot of the steps. (See illustration in Step 1)

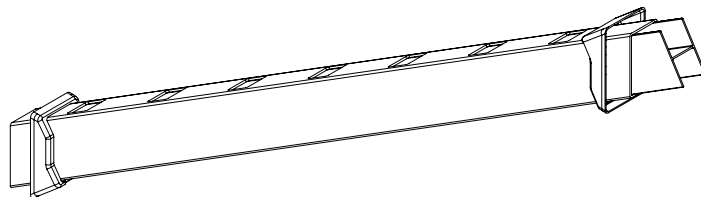
Step 1 - Prepare and install posts and decking. Prepare the posts to which the stair section will be attached. A typical installation uses a 4" x 4" vinyl post sleeved over either a 4" x 4" treated wood post, or a commercial mount. The upper most 4" x 4" post (installed at the deck or landing surface) should extend 36" above the finished deck for 36" high railing systems, and 42" above the finished deck surface for 42" high railing systems. The remaining 4" x 4" staircase posts should be cut 7" longer to accommodate for the 7" stair riser. (See illustration below.) Cut and fasten the post to the wood framing or if you are installing your HUSKER VINYL stair on a concrete surface, install commercial mount to the concrete pad / staircase following the supplied commercial mount installation instructions. Sleeve the post supports with a 4" vinyl post. The installed post sleeves must be plumb for correct installation of the rail section. If vinyl post skirts are being used at the base of the posts, slide the post skirts into position so that they come to rest around the base of the 4" x 4" sleeved post.



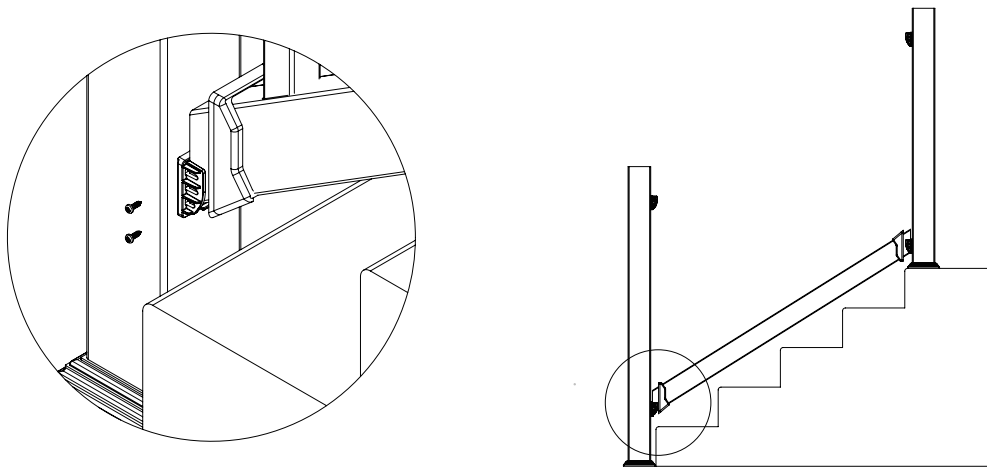
HUSKER VINYL Stair Kits are designed for a standard 7/11 rise/run or a 32-1/2 degree angle.

Step 2 - Secure post mounting brackets. Attach the nylon post brackets to the sleeved posts by using the (4) #10 x 1-1/2" pan-head screws for the 4" x 4" treated wood post, or the (4) #10 x 1" pan-head screws for the commercial mount. Measure and secure the bottom nylon post brackets in accordance with the illustration provided in Step 1. Similarly secure the top nylon post brackets to the sleeved 4" x 4" posts as illustrated.

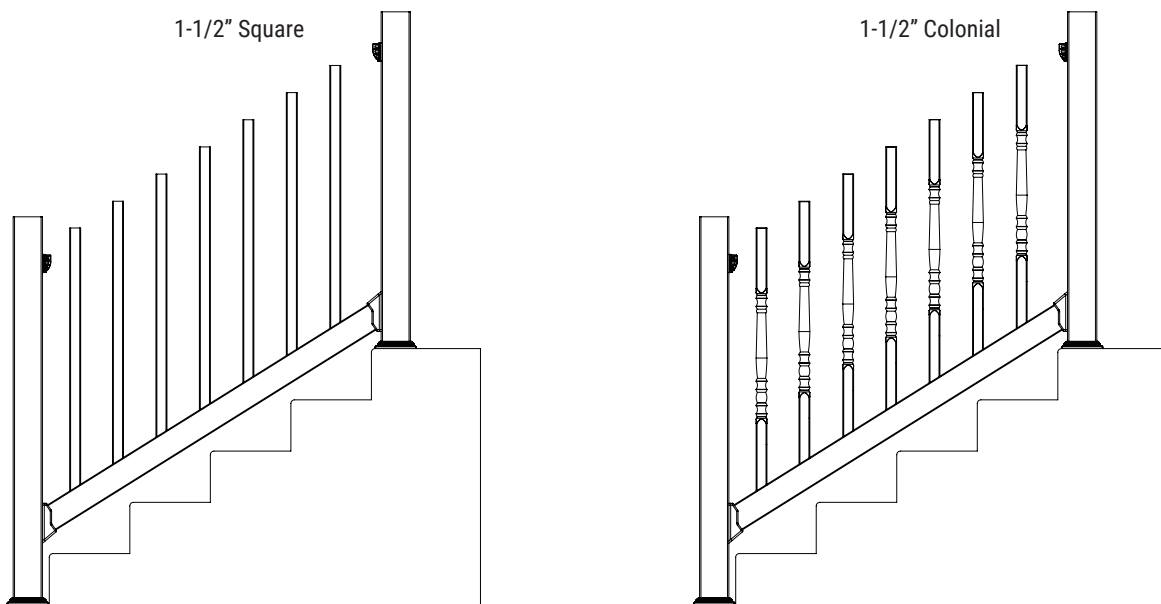
Step 3 - Measure and cut the bottom rail. Measure the distance between the base plates of opposing nylon post brackets keeping the tape measure 1" above the end of the step treads while maintaining a 32-1/2° angle. The stair kits are provided with an aluminum insert that must be used. If cutting of the bottom rail is necessary, cut an equal amount off both ends of the rail so to maintain uniform baluster spacing between the posts. Loosely position the bracket covers on opposing ends of the bottom rail.



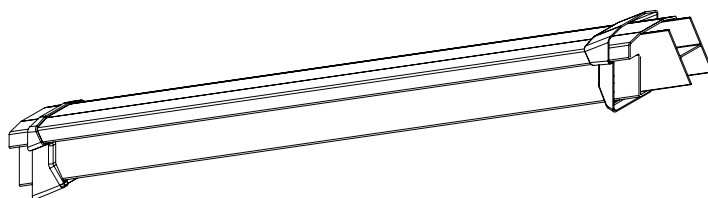
Step 4 - Secure the bottom rail. Attach the bottom rail to the nylon post brackets by using the (4) #10 x 1" pan-head screws. The bottom rail will be 1" off the step tread nosing with the rail inserted correctly into the nylon post brackets. Fasten two screws into each side of the nylon post bracket using the top and bottom slots of the nylon post brackets. Once secured, snap the 2" x 3-1/2" step bracket covers positioned in Step 3 onto the nylon post brackets.



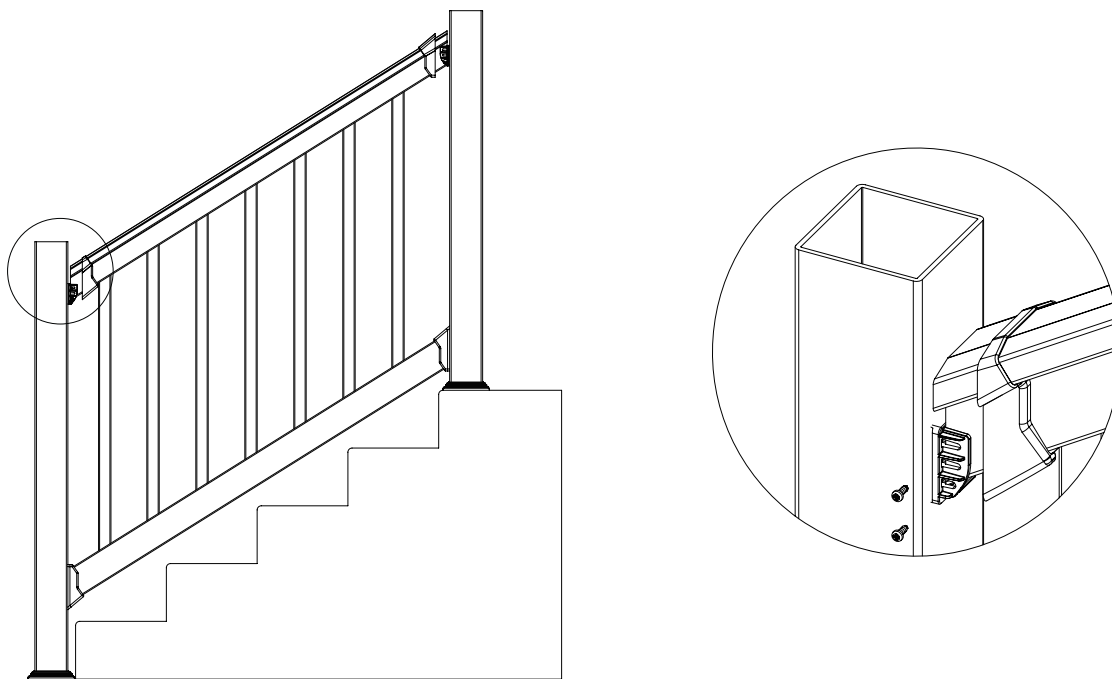
Step 5 - Insert the balusters. Having secured the bottom rail into place, insert the balusters into the bottom rail. If the 1-1/2" colonial balusters are being used make sure the balusters are inserted so the baluster tapers are uniformly installed.



Step 6 - Measure and cut the top rail. If cutting of the top rail is necessary cut an equal amount off both ends of the rail to maintain a uniform spacing between the posts. The stair kits are provided with an aluminum insert that must be used. Loosely position the top rail bracket covers on opposing ends of the top rail.



Step 7 - Secure the top rail. Position the top rail over the exposed ends of the balusters so that it is positioned on the resting flange of the installed nylon post brackets. Attach the top rail to the nylon post brackets by using the (4) #10 x 1" pan-head screws. Fasten two screws into each side of the nylon post bracket using the top and bottom slots of the nylon post brackets. Snap the top rail bracket covers positioned in Step 6 onto the nylon post brackets.



Step 8 - Finish the section. Secure the 4" x 4" post caps onto the post tops applying PVC adhesive to the internal surfaces of the post caps. Set the caps onto the post tops.

